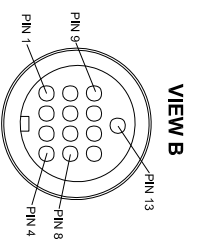
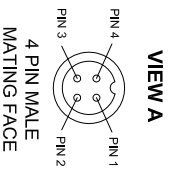


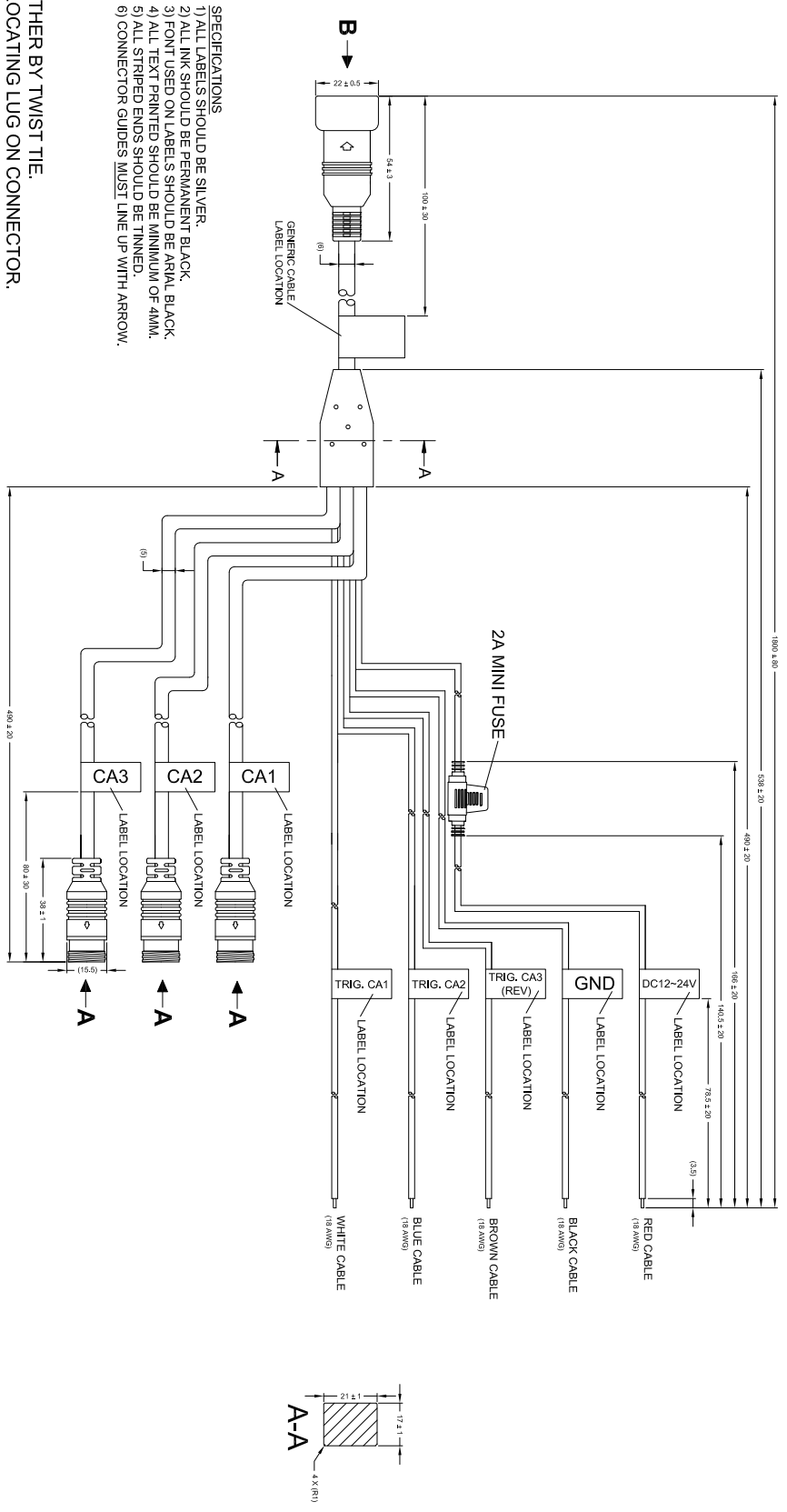
Revision Notes			
R1			
APPA	Drawn	Checked	Approved
			Date



PIN #	WIRE COLOUR	DESCRIPTION
1	RED	+12V
2	BROWN	TRIGGER 3
3	BLUE	TRIGGER 2
4	PALE BLUE	TRIGGER 1
5	PALE RED	CA1 +12V/OUT
6	GRAY	CA2 AUDIO
7	YELLOW	CA3 VIDEO
8	GREEN	CA2 +12V/OUT
9	PALE GREEN	CA3 AUDIO
10	WHITE	CA2 VIDEO
11	BLACK	CA3 +12V/OUT
12	PALE BLUE	CA3 AUDIO
13	ORANGE	CA3 VIDEO
14	BLACK	GROUND



PIN #	WIRE COLOUR	DESCRIPTION
1	RED	+12V
2	BLACK	GND
3	WHITE	AUDIO
4	YELLOW	VIDEO



- SPECIFICATIONS**
- 1) ALL LABELS SHOULD BE SILVER.
  - 2) ALL INK SHOULD BE PERMANENT BLACK.
  - 3) FONT USED ON LABELS SHOULD BE ARIAL BLACK.
  - 4) ALL TEXT PRINTED SHOULD BE MINIMUM OF 4MM.
  - 5) ALL STRIPED ENDS SHOULD BE TINNED.
  - 6) CONNECTOR GUIDES MUST LINE UP WITH ARROW.

- NOTES:**
1. CABLE TO BE HELD NEATLY TOGETHER BY TWIST TIE.
  2. ENSURE ARROWS LINE UP WITH LOCATING LUG ON CONNECTOR.
  3. MAXIMUM POSSIBLE RESISTANCE PERMITTED FOR CABLE IS 1.2Ω.
  4. CABLE TO BE SUPPLIED IN A SUITABLE PRESS SEAL BAG WHEN SUPPLIED AS A SPARE PART.
  5. FOR MANUFACTURING CONTROLS PLEASE REFER TO ASSEMBLY PLANT DRAWING #SV165-13 REVISION 1.4.
  6. FOR CABLE LABEL REFER TO LATEST REVISION OF GENERIC CABLE LABEL DRAWING BE-001500-XX-11.

**PROPRIETARY NOTICE**  
 THIS DESIGN AND TECHNICAL INFORMATION APPEARING ON THIS DRAWING IS THE PROPERTY OF BRIGADE ELECTRONICS, AND IS DISCLOSED IN CONFIDENCE. IT IS NOT TO BE COPIED, REPRODUCED, REVISED TO OR EXPROPRIATED BY OTHERS, EITHER IN WHOLE OR IN PART WITHOUT THE EXPRESS WRITTEN CONSENT OF BRIGADE ELECTRONICS.



 Third Angle	Assembly Pl Approval DONGQUING LIM (16/01/14)		Approved by B. JOHN	Checked by RBATES	Drawn by MBUTLER
	Angle of Projection	Units mm	Scale N/A	Released 17/01/14	Assembly Ref -
Status RELEASED		Part No 3176B		VB V-7X0M-CA BE-002292-00-13	

